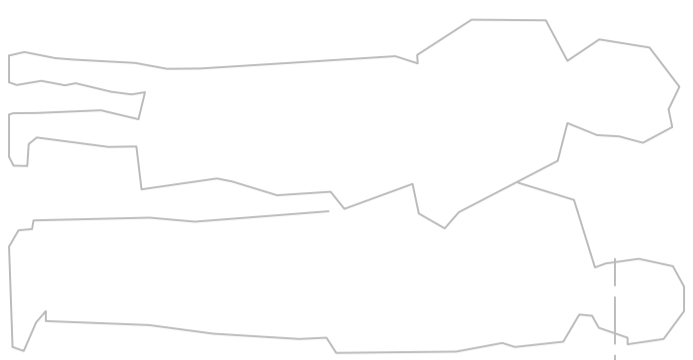
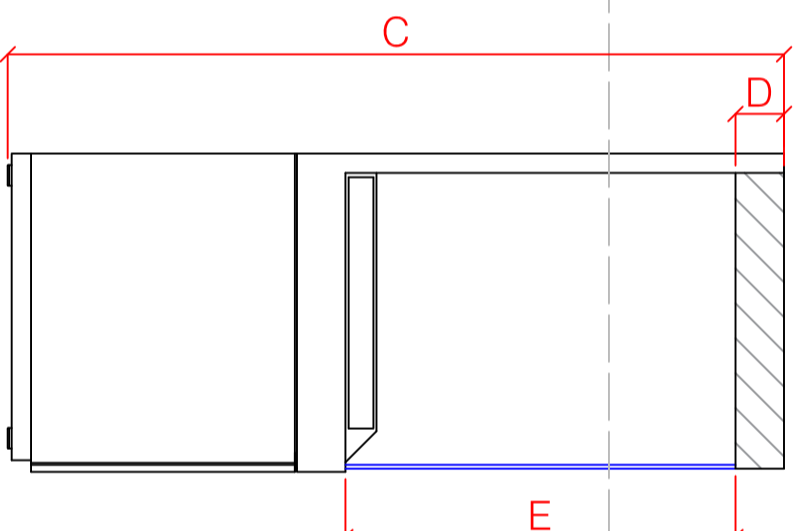
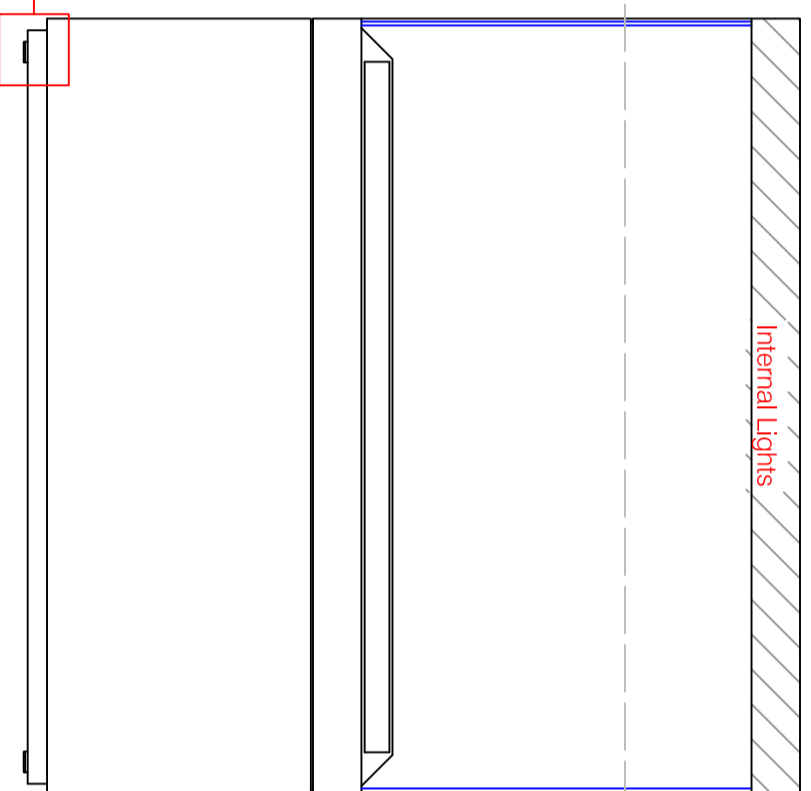


# Case Requirements / Quantities

## Wall Case



Example Detail D

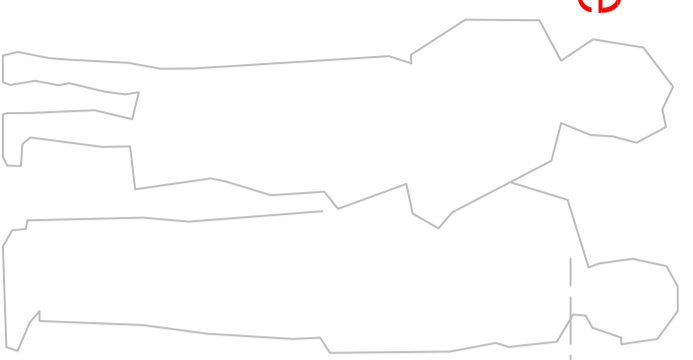


Wall Case(s) Dimensions					
A	B	C	D	E	Quantity
2000mm	812mm	2000mm	125mm	1005mm	9
1600mm	812mm	2000mm	125mm	1005mm	4

D - Internal case lighting

TOTAL QUANTITY - 13

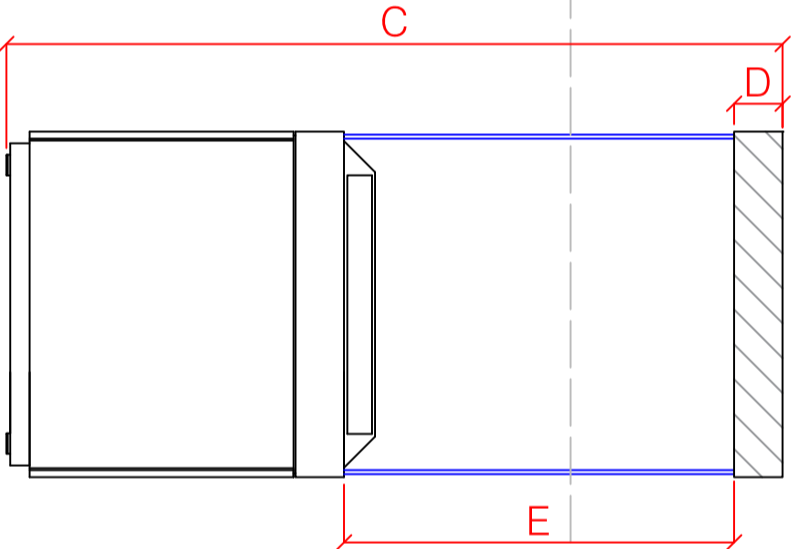
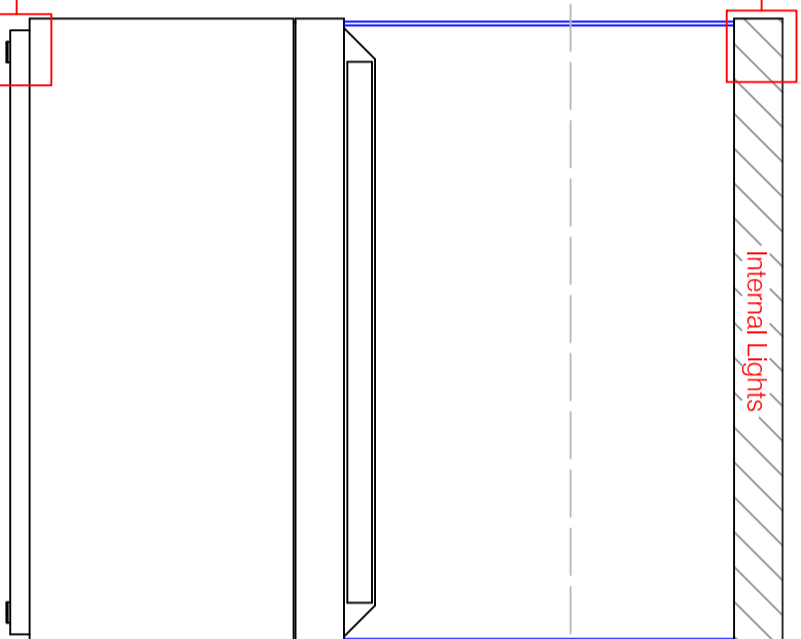
## Island Case



Example Detail C



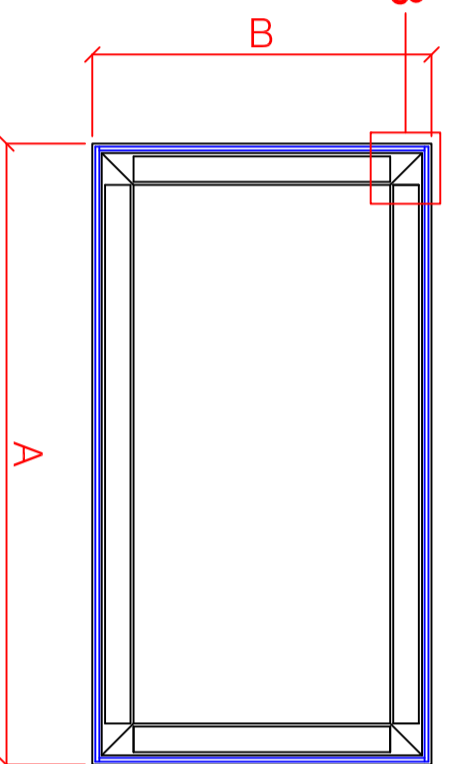
Example Detail D



Island Case(s) Dimensions					
A	B	C	D	E	Quantity
1600mm	874mm	2000mm	125mm	1005mm	4
1000mm	1000mm	2000mm	125mm	1005mm	1
874mm	874mm	2000mm	125mm	1005mm	3

D - Internal case lighting

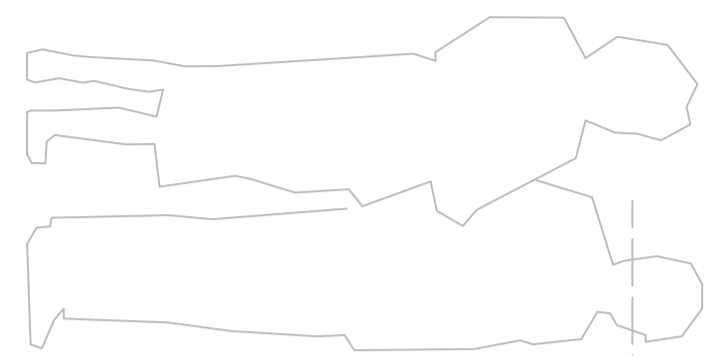
TOTAL QUANTITY - 8



Example Detail B

# Case Requirements / Quantities

## Table Case



Example Detail D

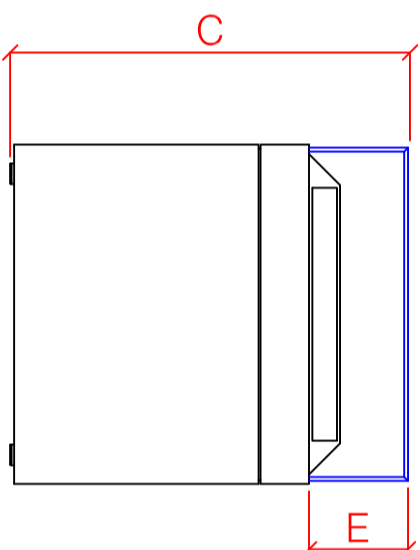
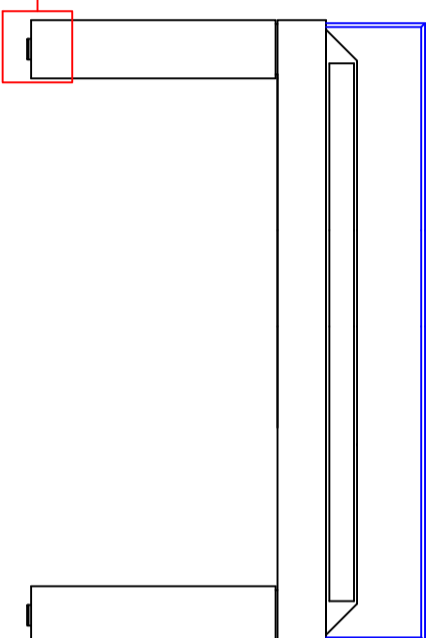
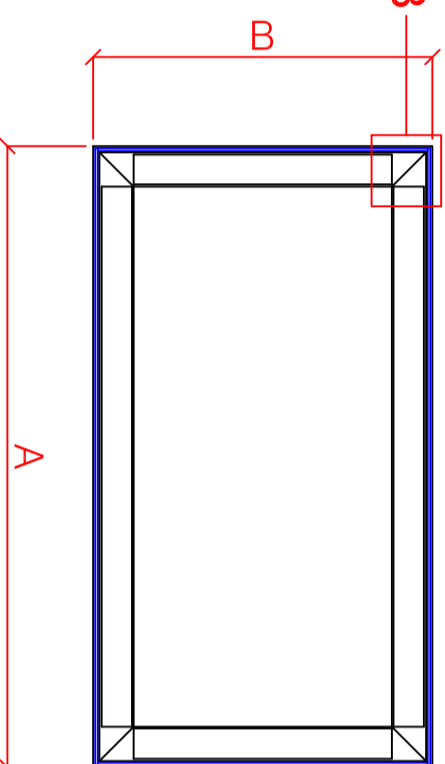


Table Case(s) Dimensions					
A	B	C	D	E	Quantity
2000mm	874mm	1110mm	NA	340mm	1
1600mm	874mm	1110mm	NA	340mm	3
1600mm	874mm	1025mm	NA	255mm	4

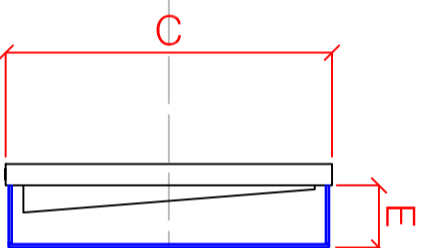
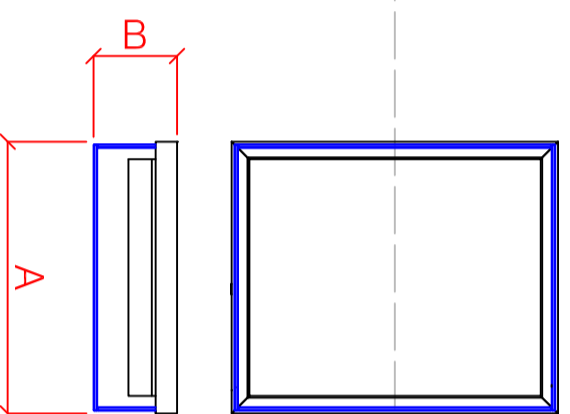
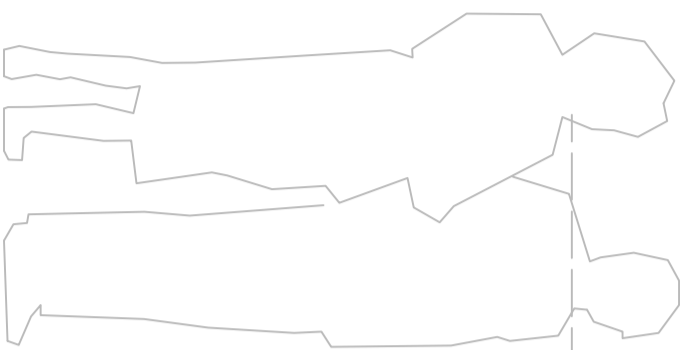
D - Internal case lighting

TOTAL QUANTITY - 8

Example Detail B



## Hanging Case



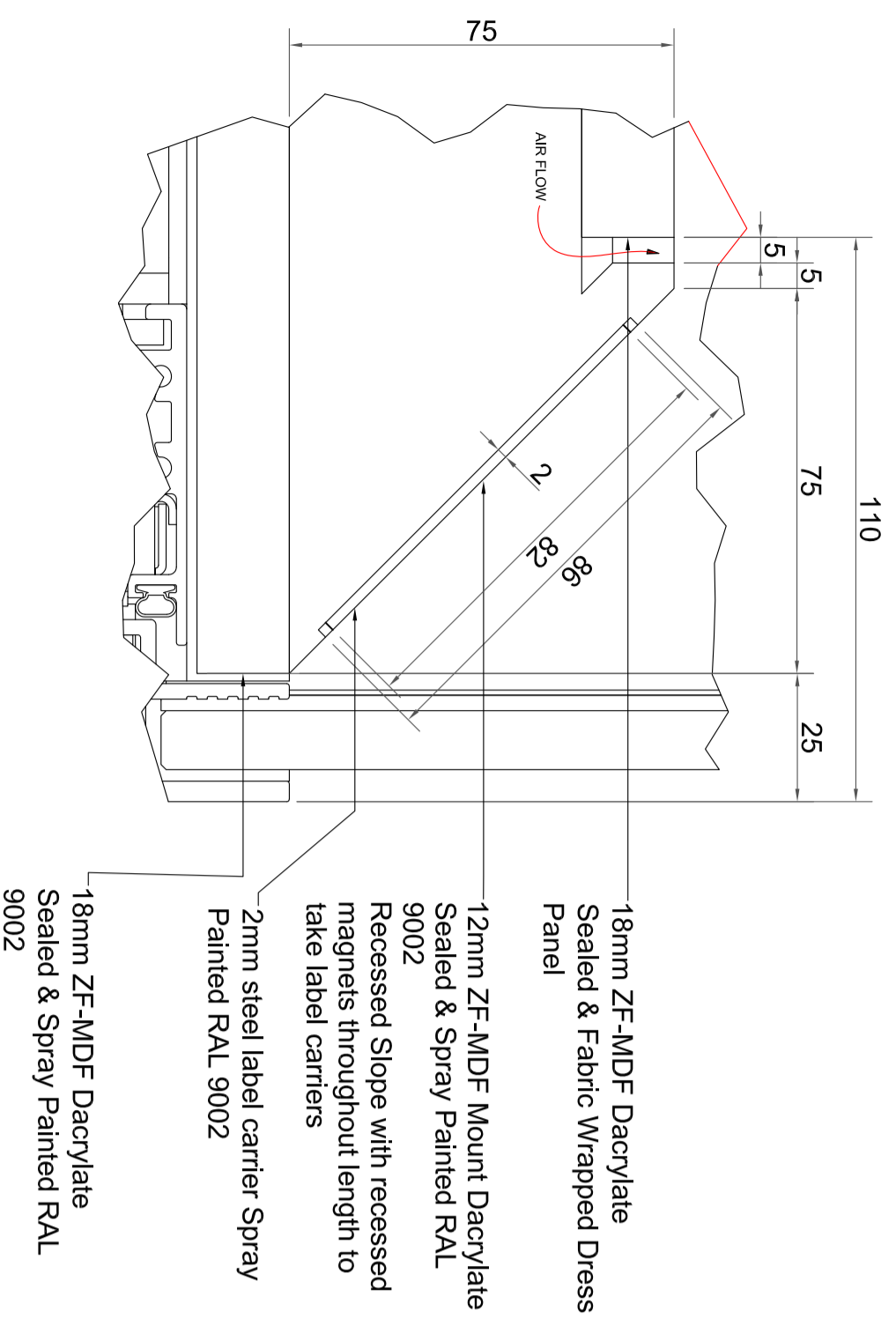
Hanging Case(s) Dimensions					
A	B	C	D	E	Quantity
700mm	215mm	840mm	NA	160MM	2

TOTAL QUANTITY - 2

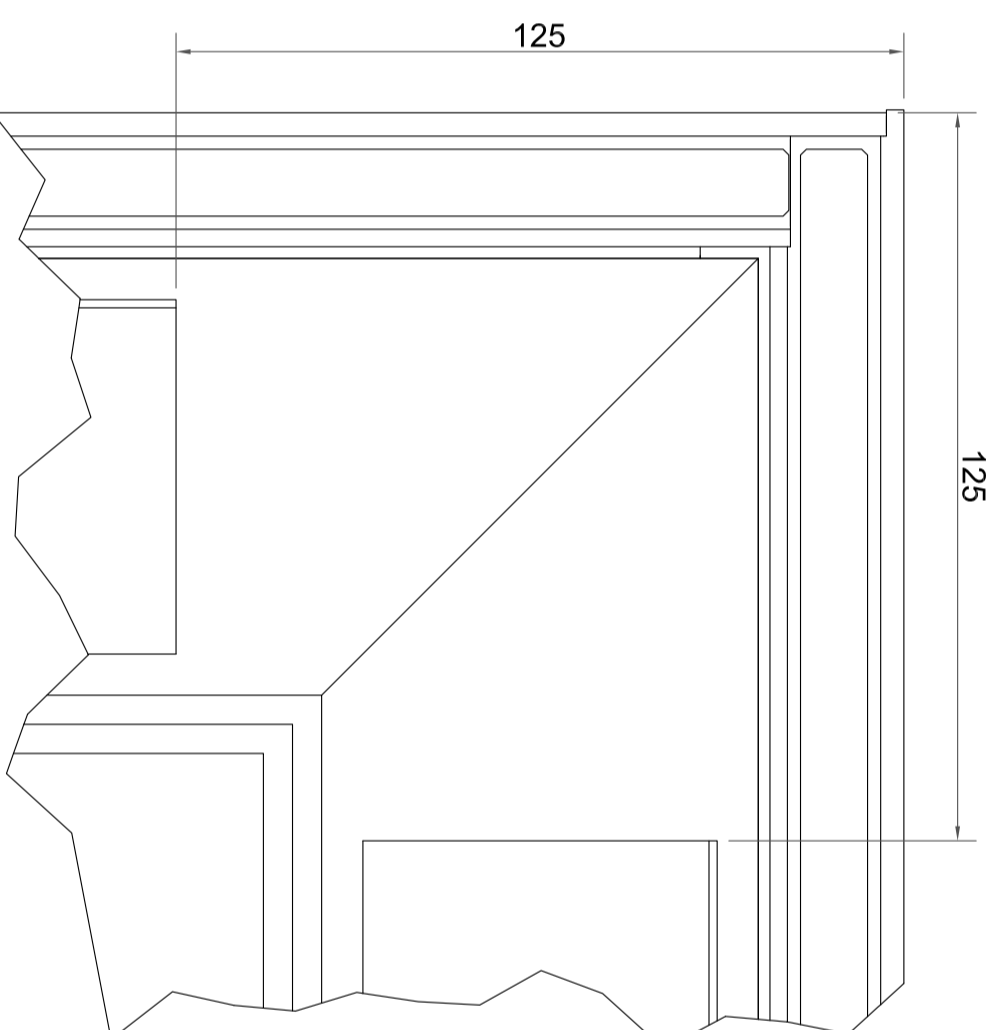
D - Internal case lighting

# Case Details

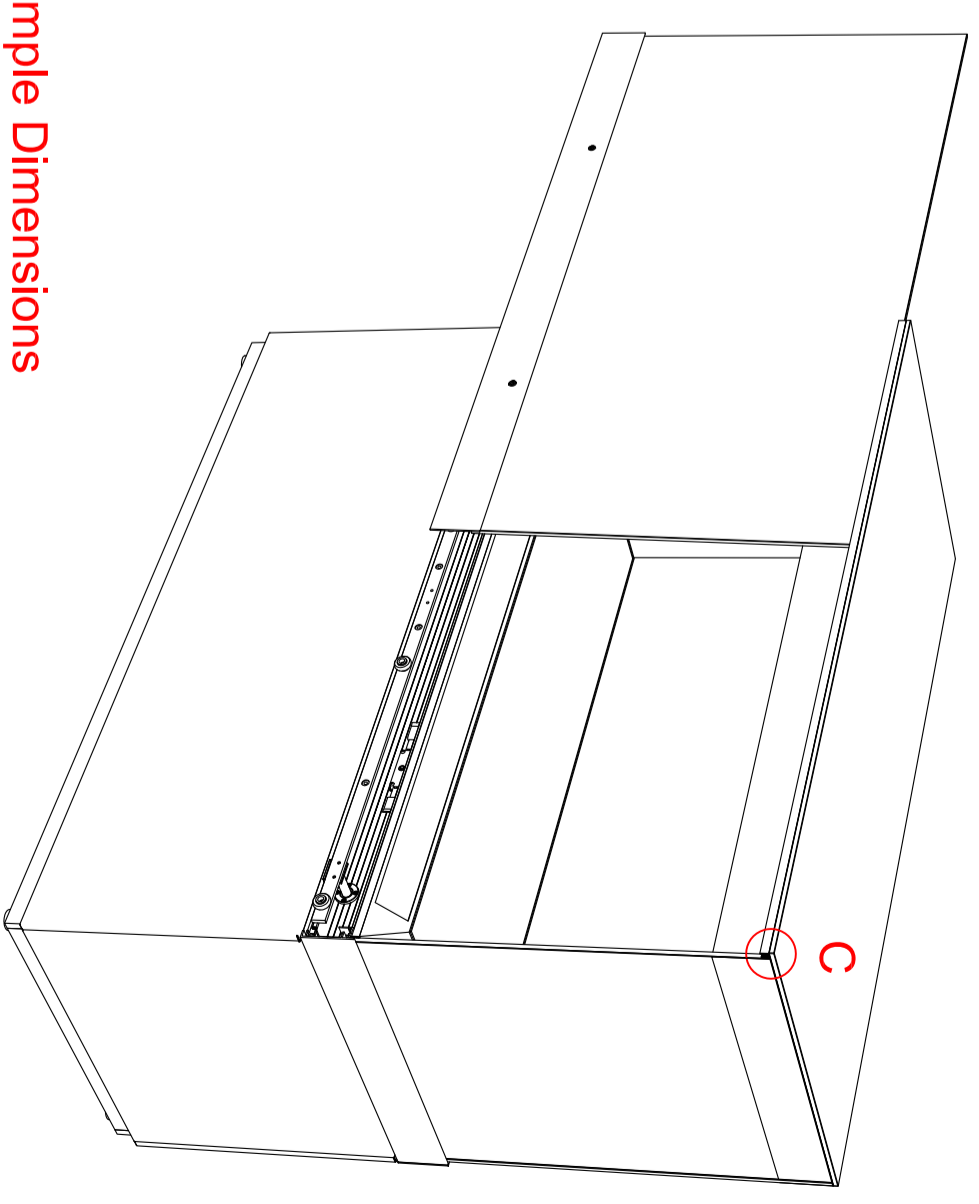
ExampleDetail A



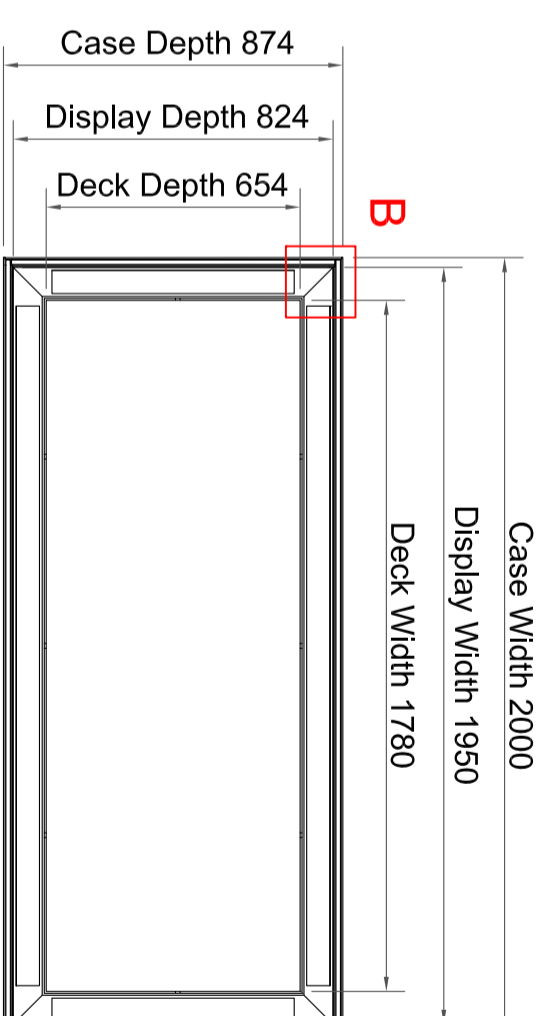
Example Detail B



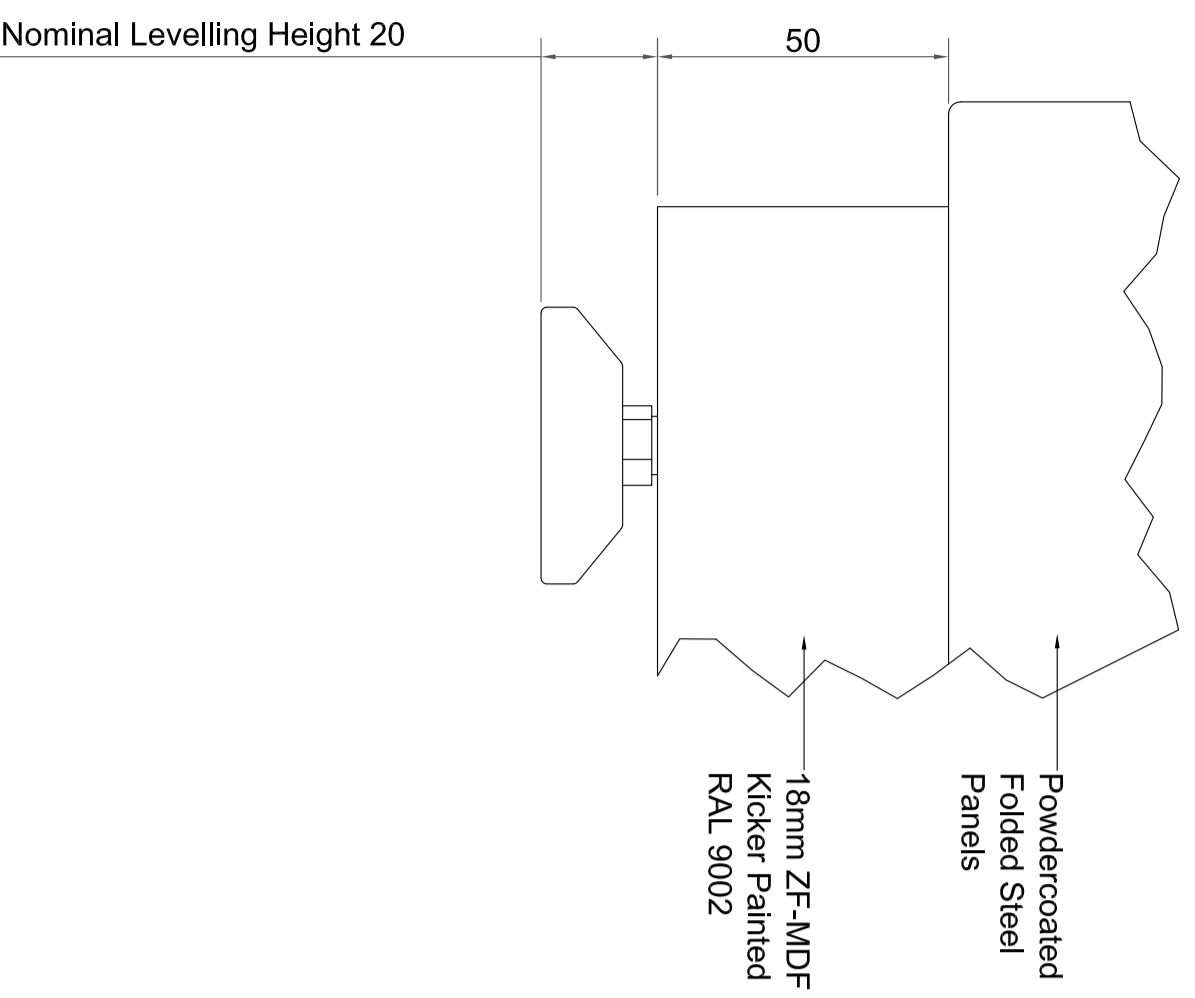
Example of Typical Island Case



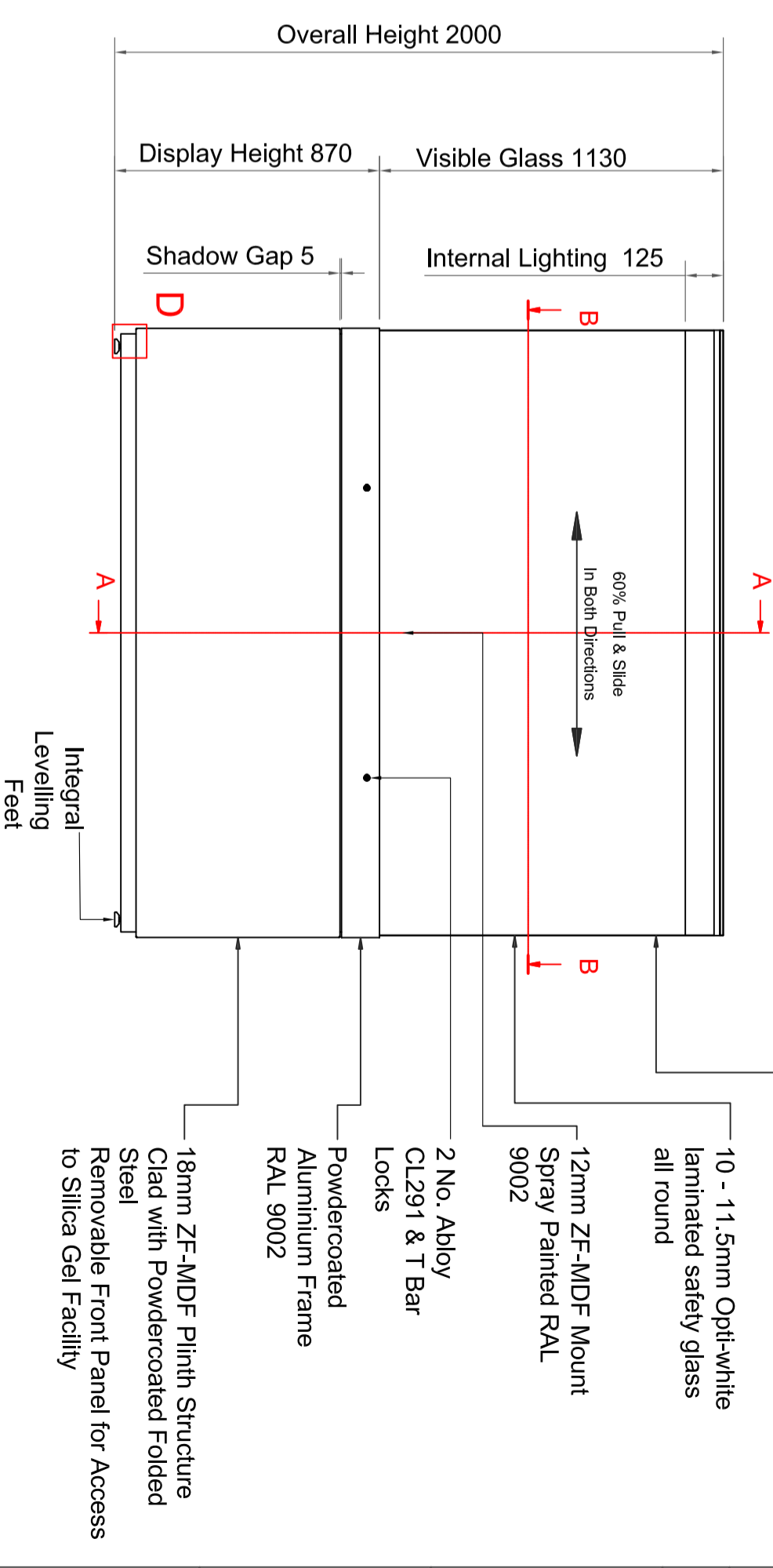
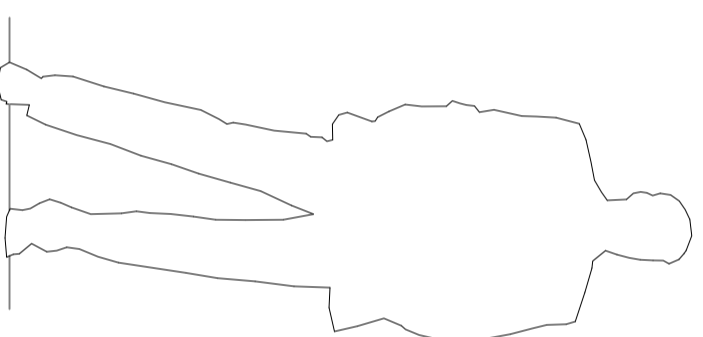
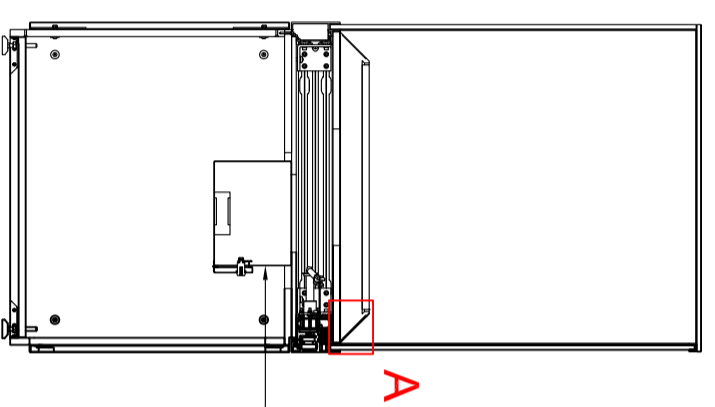
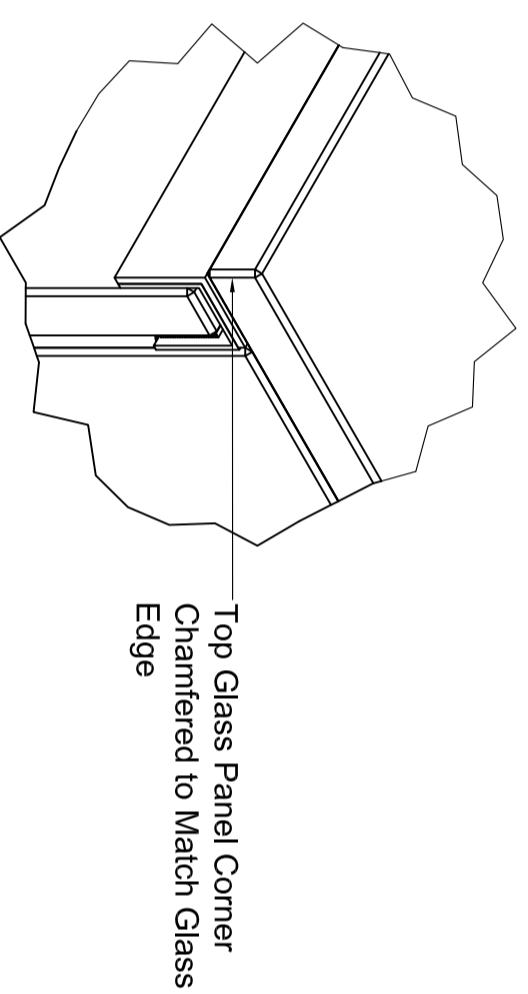
Example Dimensions of a 2m Case



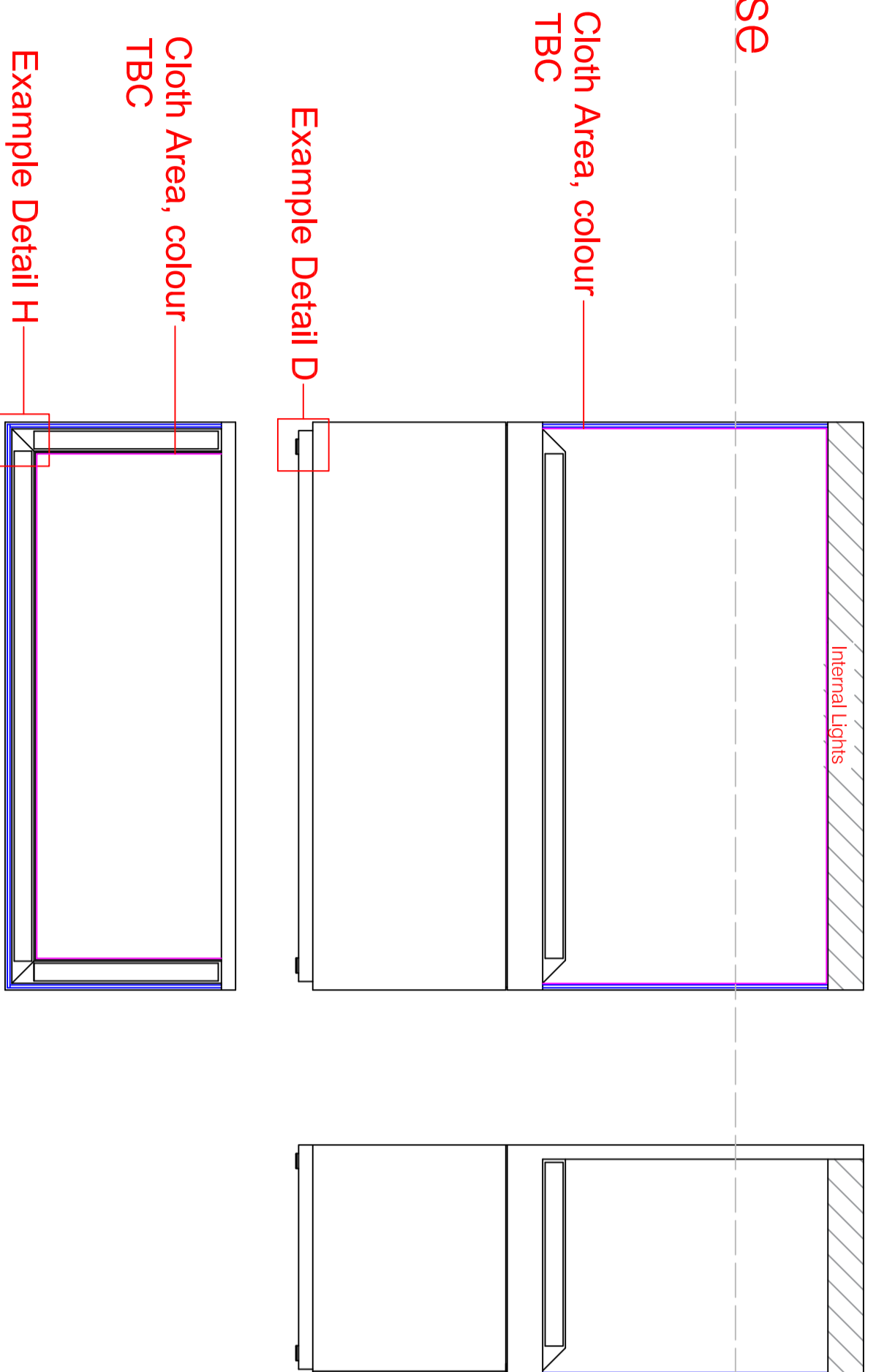
Example Detail D



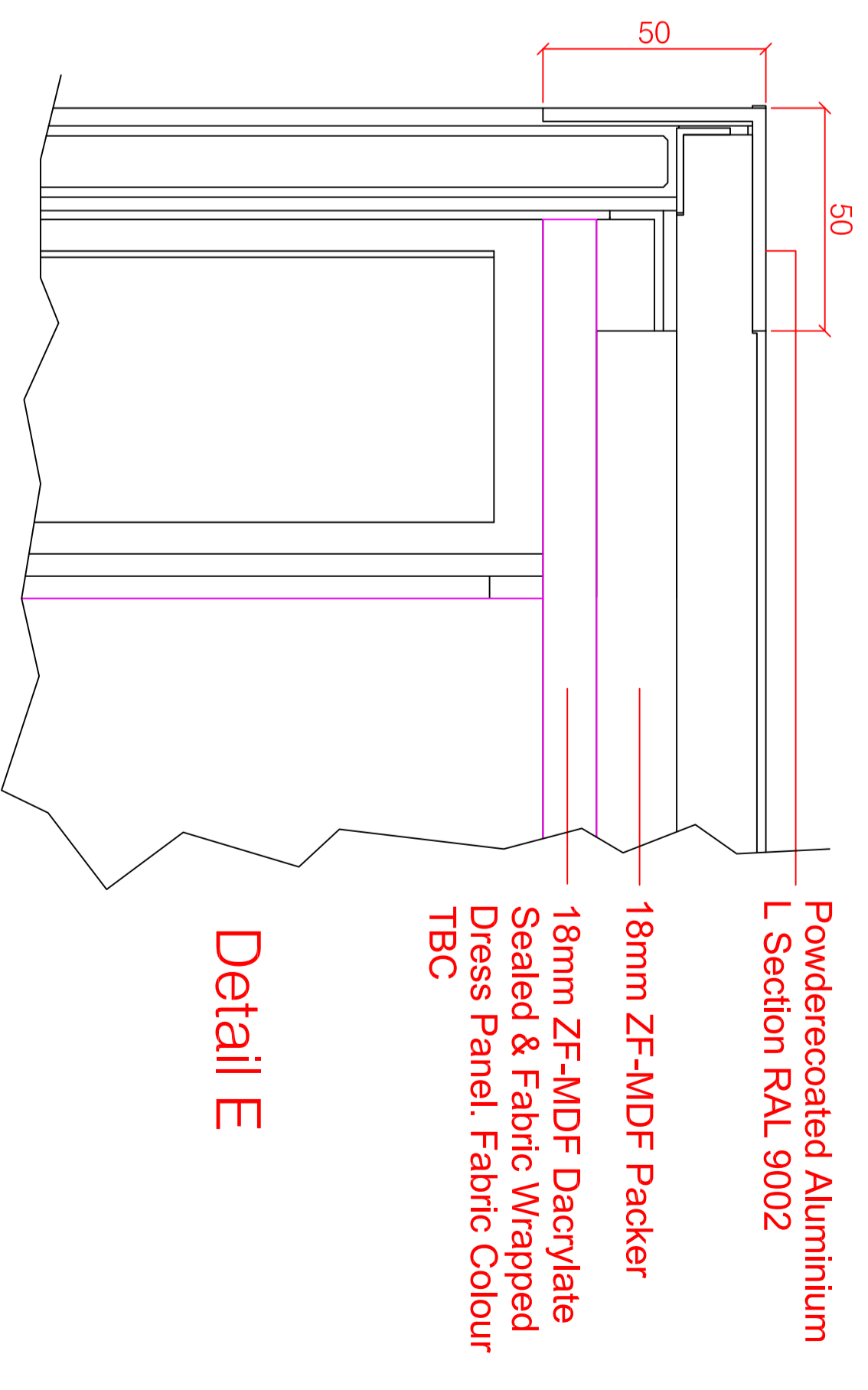
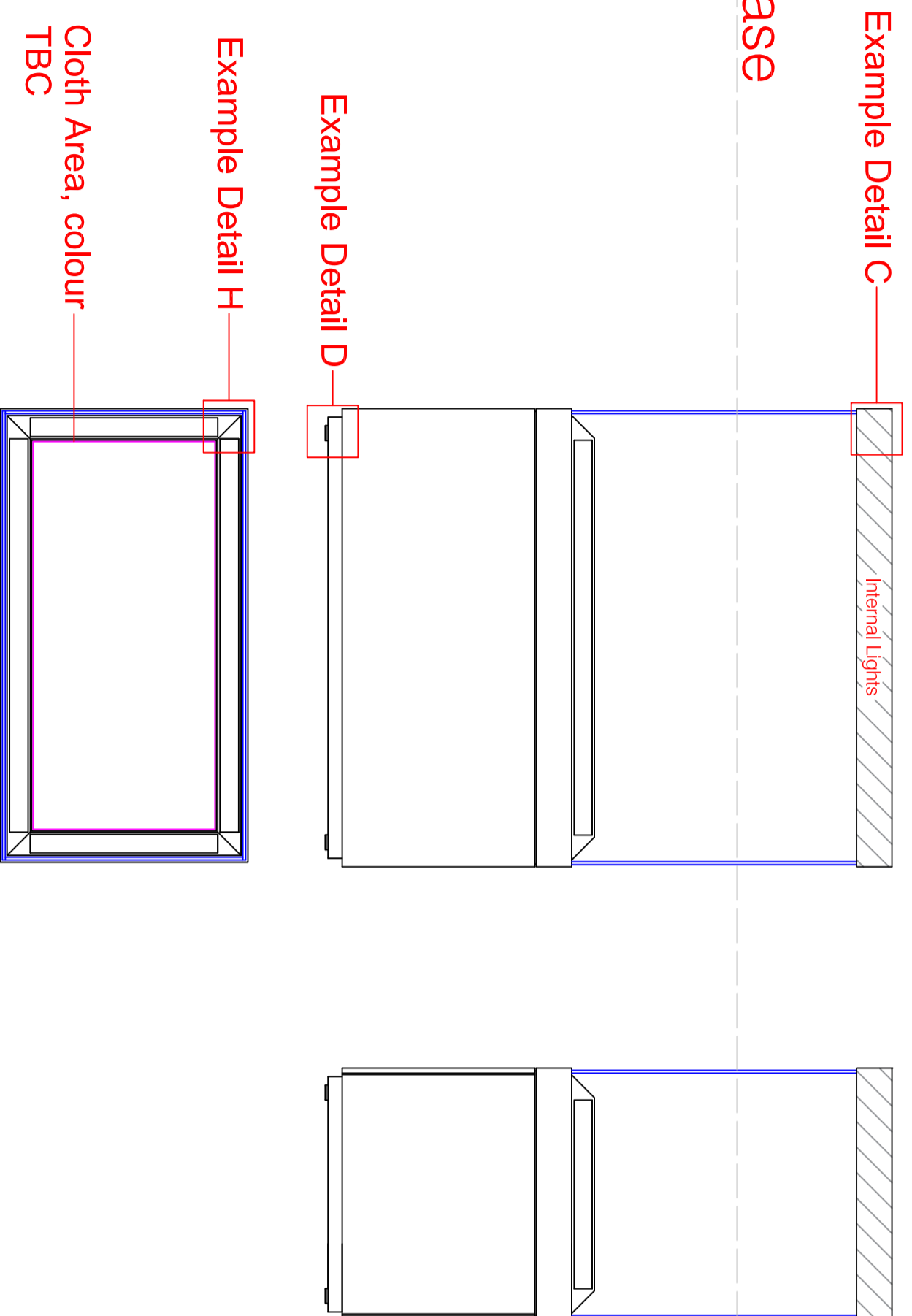
Example Detail C



## Wall Case



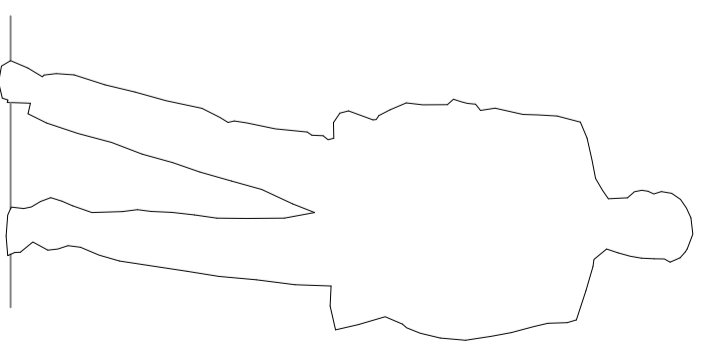
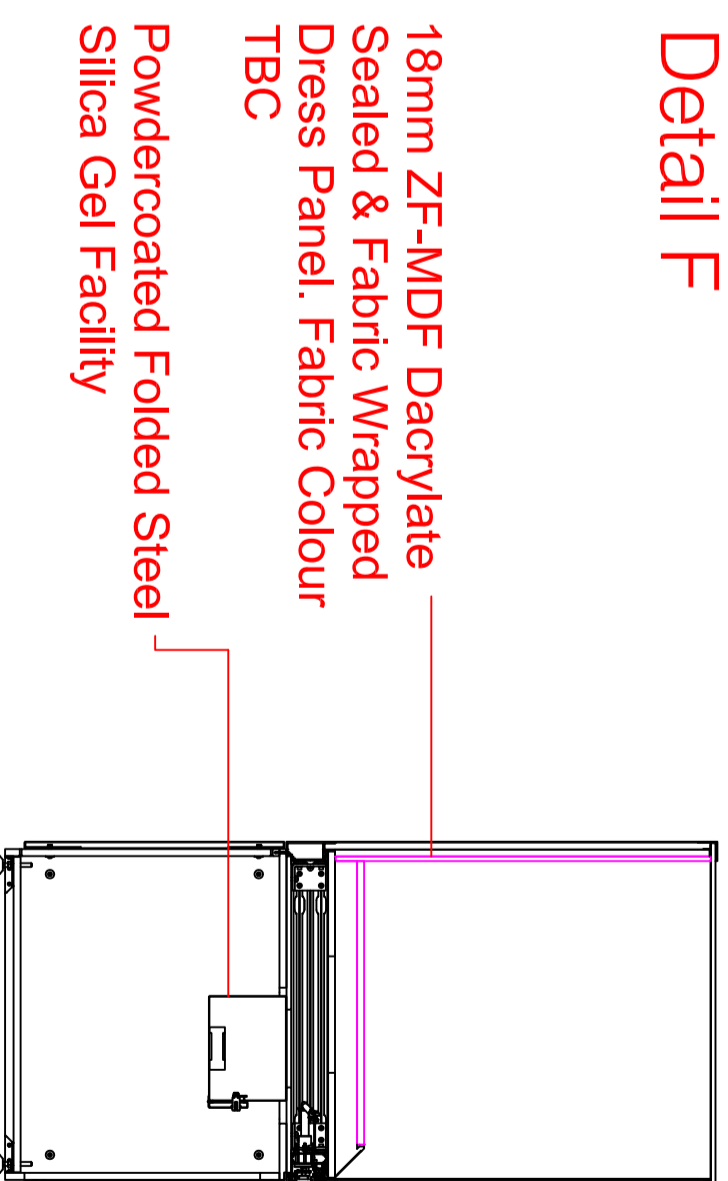
## Island Case



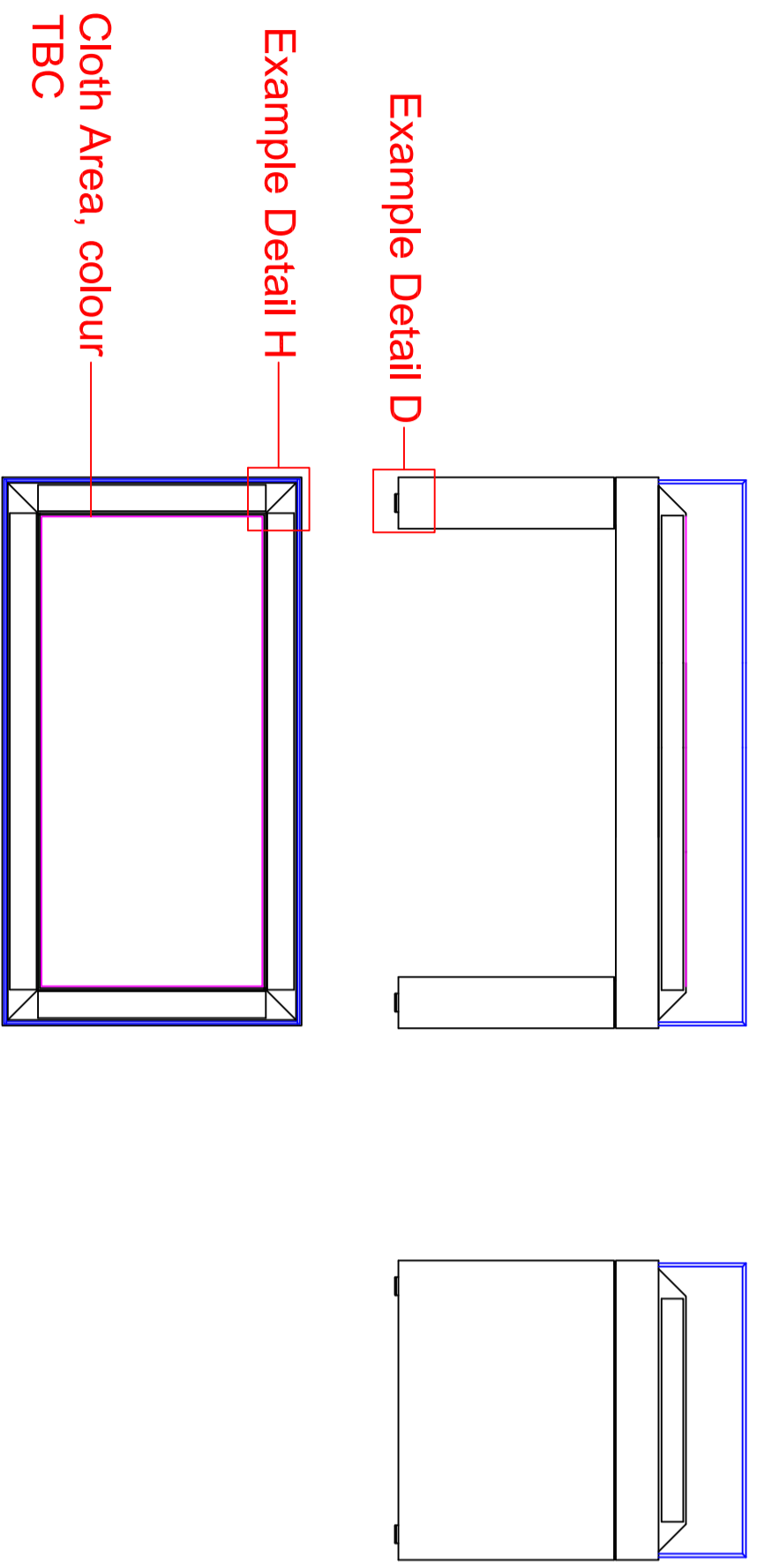
### Detail E

Powdercoated Aluminium  
L Section RAL 9002  
18mm ZF-MDF Packer  
18mm ZF-MDF Dacrylate  
Sealed & Fabric Wrapped  
Dress Panel. Fabric Colour  
TBC

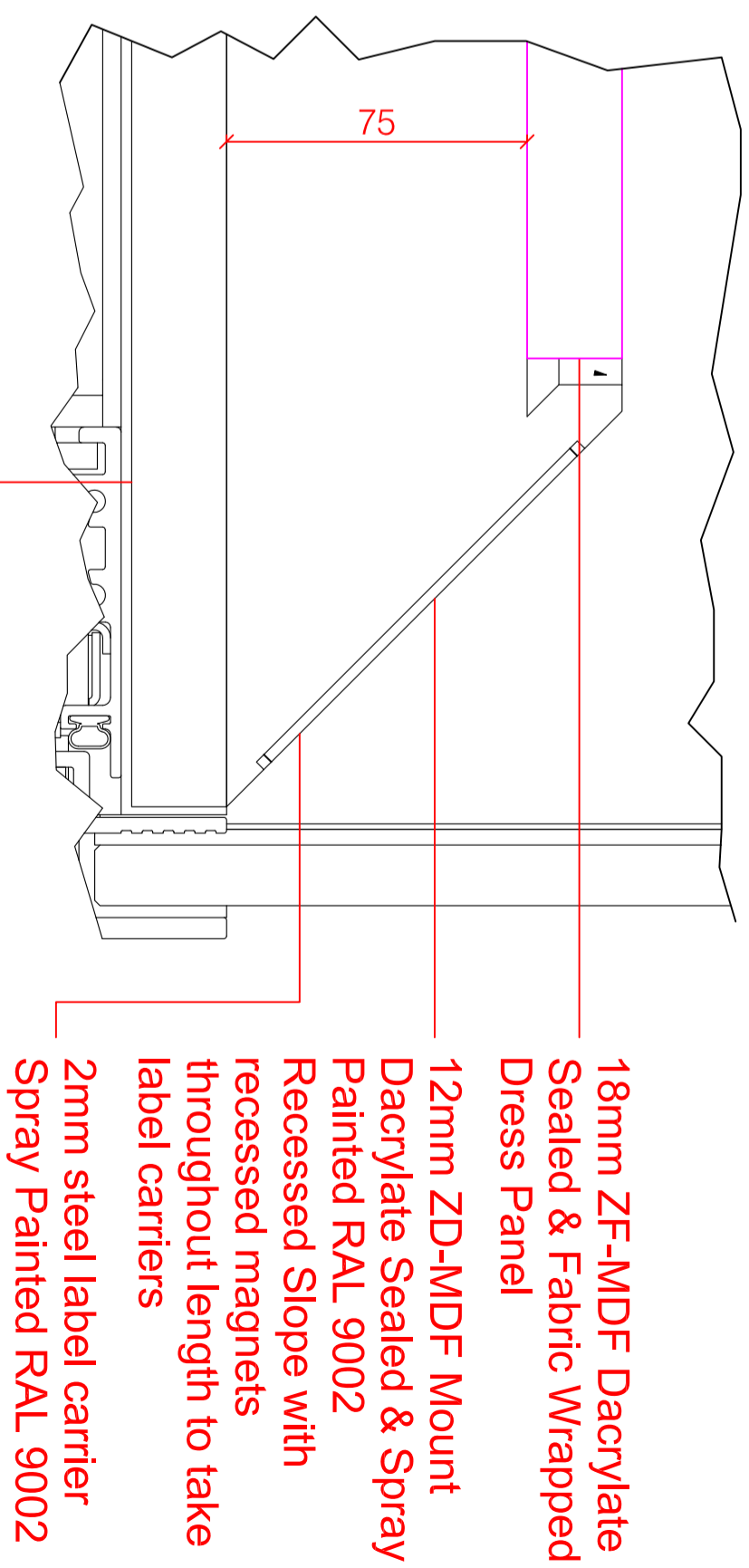
### Detail F



# Table Case



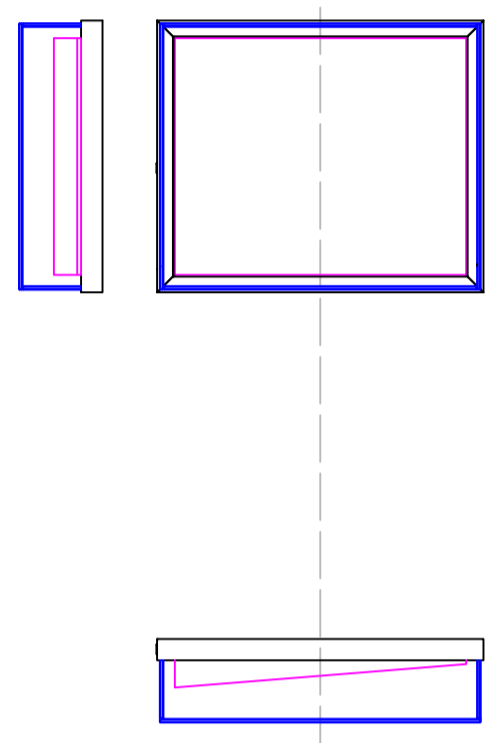
# Detail G



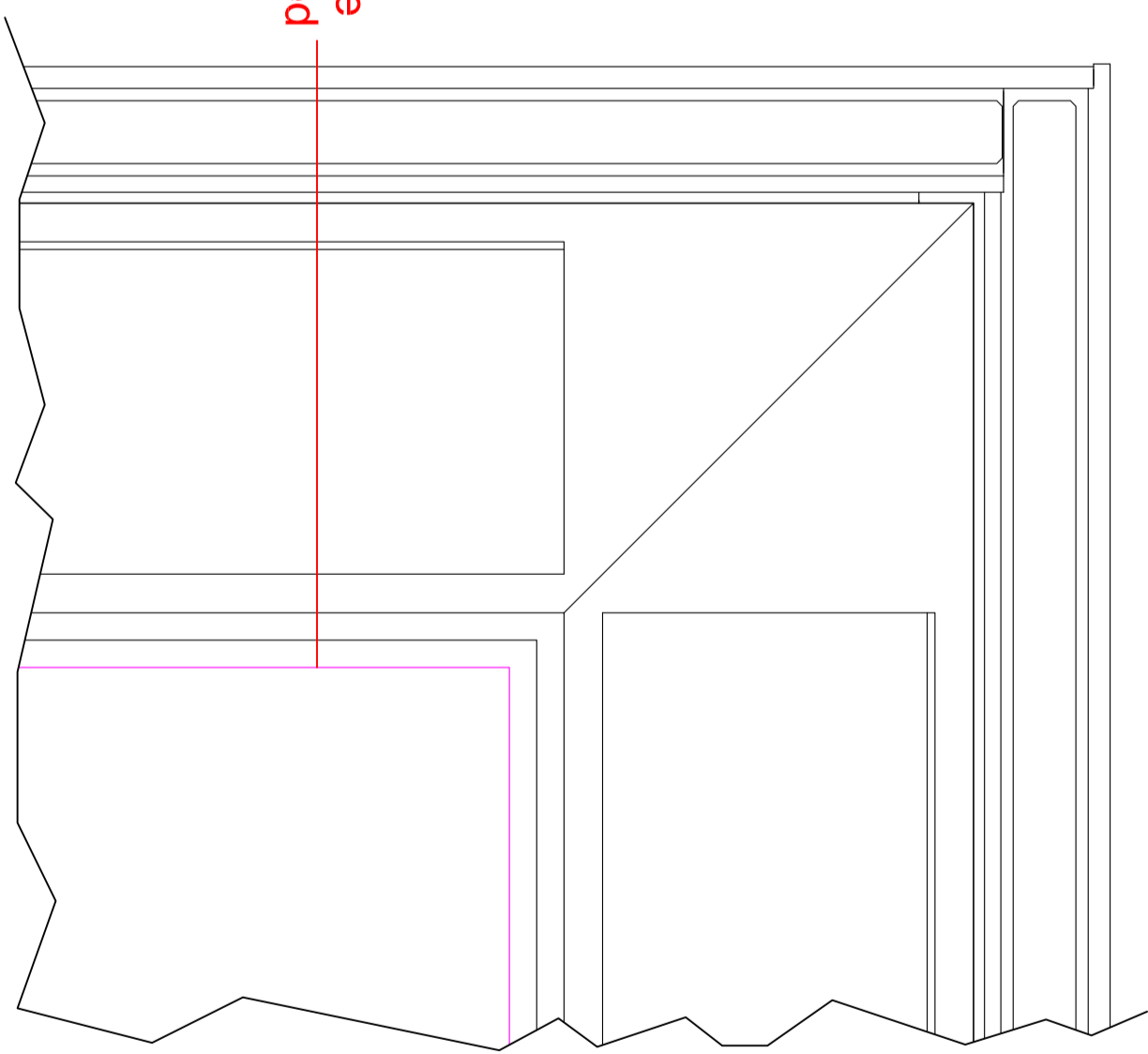
12mm ZD-MDF Mount  
Dacrylate Sealed & Spray  
Painted RAL 9002

18mm ZF-MDF Dacrylate  
Sealed & Fabric Wrapped  
Dress Panel  
12mm ZD-MDF Mount  
Dacrylate Sealed & Spray  
Painted RAL 9002  
Recessed Slope with  
recessed magnets  
throughout length to take  
label carriers  
2mm steel label carrier  
Spray Painted RAL 9002

# Hanging Case



18mm ZF-MDF Dacrylate  
Sealed & Fabric Wrapped  
Dress Panel



# Detail H